

Cable Management System

PRODUCT INFORMATION



Cable Management System

The **Rosenberger OSI Cable Management System** has been developed especially for **patch distributors and equipment racks** in Data Centers, to manage the emerging large cable volumes, caused by high density, in a professional and appropriate way.

The system consists of:

Horizontal Cable Managers



Vertical Cable Managers



Rosenberger OSI Cable Management System in a Data Center's patch distributor and equipment rack

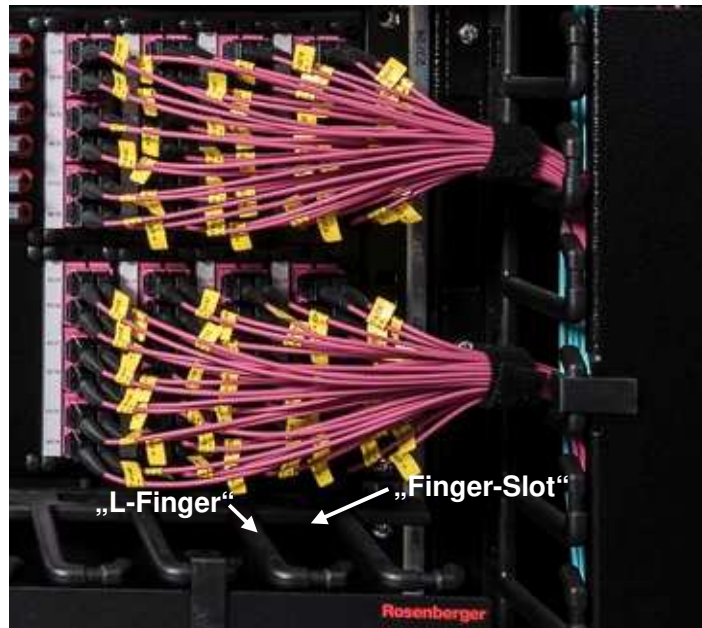


Cable Management System

Rosenberger OSI „Cable Managers“ are FO suitable through:

- 1.) The so-called „L-Fingers“ which are forming the „Finger-Slots“:
 - They are rounded all-over, without sharp edges.
 - They guarantee high bending and kinking protection for the cable even under tensile load.
 - They are very robust and break resistant.

- 2.) The large so-called „Finger-Slots“:
 - Therein the cables have lots of space and they are neither squeezed nor kinked.

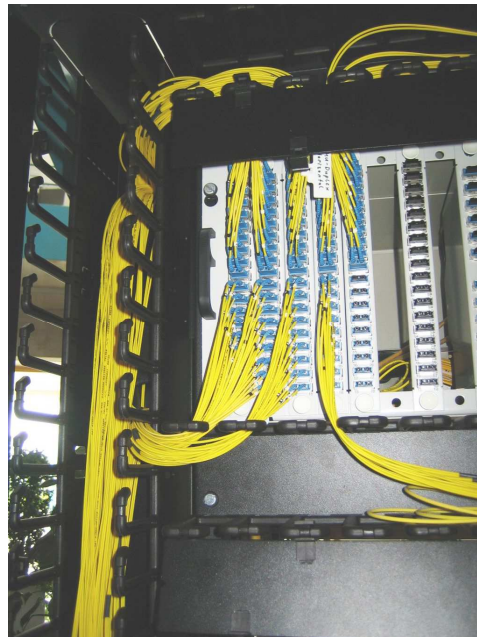


Cable Management System

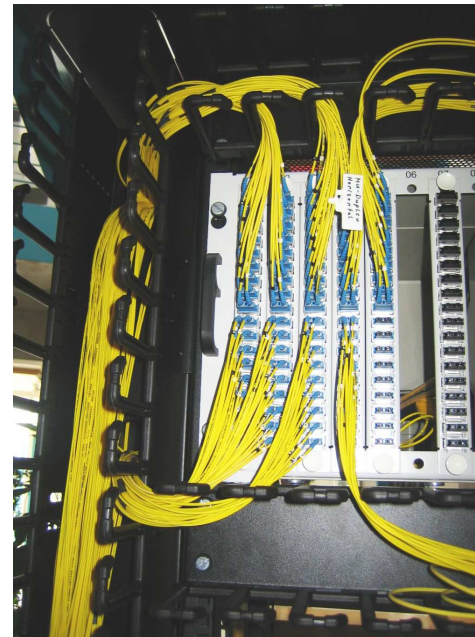
Rosenberger-OSI „Cable-Manager“ are very installation and handling friendly through:

- 1.) The **covers**, which are **hinged** in both directions and completely **removable**.
- 2.) The all-over rounded **L-Fingers**:
 - During installation and de-installation the cables cannot be damaged through sharp edges.
 - The cables can be installed and de-installed very easily and securely in the Cable Managers.
 - During operation with open or removed covers the „L-Fingers“ hold the cables back inside of the „Finger-Slots“, the cables cannot escape.
- 3.) The **cable overlengths** are stored **inside** of especially suitable **ducts** at the rear sides of the Vertical Cable Managers.
Details see at the following pages.

hinged covers



removed covers
cables are kept inside of the „Finger-Slots“ by the „L-Fingers“



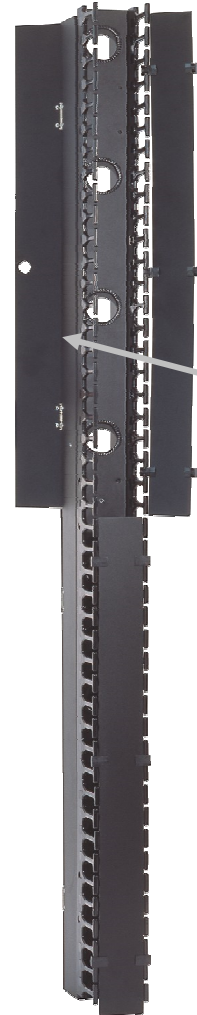
Cable Management System

Rosenberger OSI „Cable Managers“ are very installation and handling friendly through:

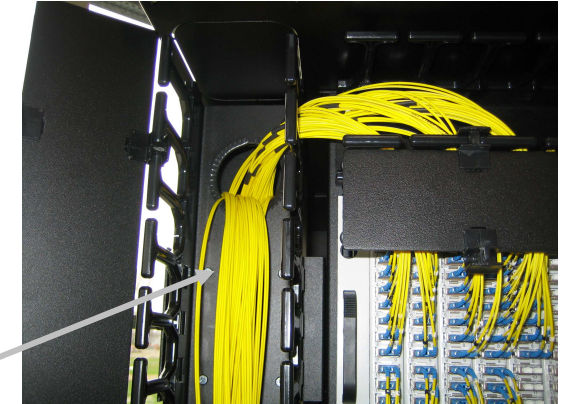
The **cable overlengths** stored **inside** of especially suitable **ducts** at the rear sides of the Vertical Cable Managers:

Pictures of the former model with T-Fingers

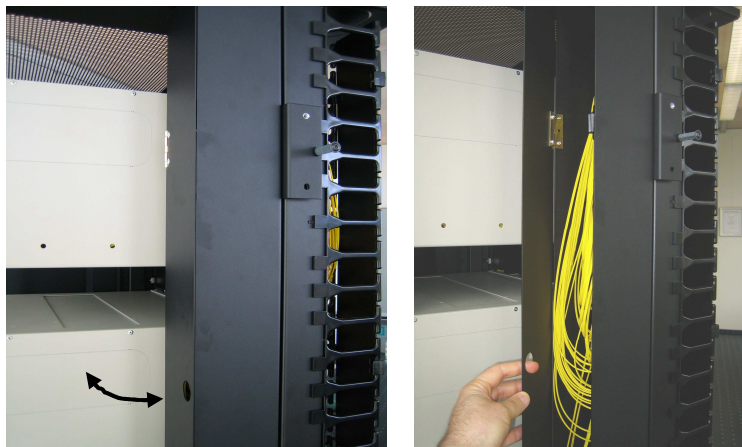
Vertical Cable Manager with Cable-Overlength-Duct mounted at its rear side



There are large holes between the actual Cable Manager and the Cable Overlength-Duct mounted at its rear side for the lead-through of the cable overlengths.



The Cable-Overlength-Ducts have doors with magnetic locks



Cable Management System

Technical Data and Partnumbers

Material Cable Manager:

- Body and Cover:
Aluminum, powder coated RAL 9005 black matt structure
- L-Finger and Cover-Hinge:
Polyamide PA, deep black matt, halogen-free, flame-retardant UL94-V0

Material Cable-Overlength-Duct:

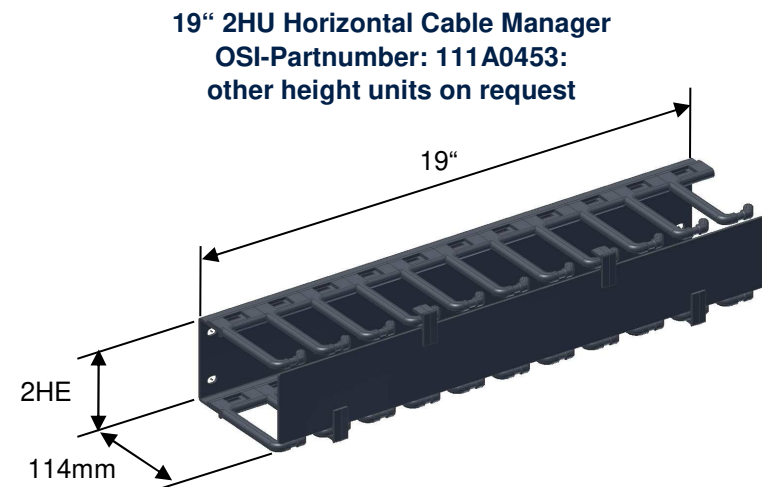
Steel, powder coated RAL 9005 black matt structure

Application/mounting:

The following listed Rosenberger OSI Cable Managers fitting in different racks and cabinets of common manufacturers, depending on **the rack and cabinet type** itself, particularly their interior.

This is especially to be taken into account for Vertical Cable Managers. To evaluate if and how they can be mounted in a certain rack or cabinet, all technical details and dimensions must be known.

The needed **screws** and often to be designed special **mounting parts** must be selected and if needed designed and quoted in a customized way.

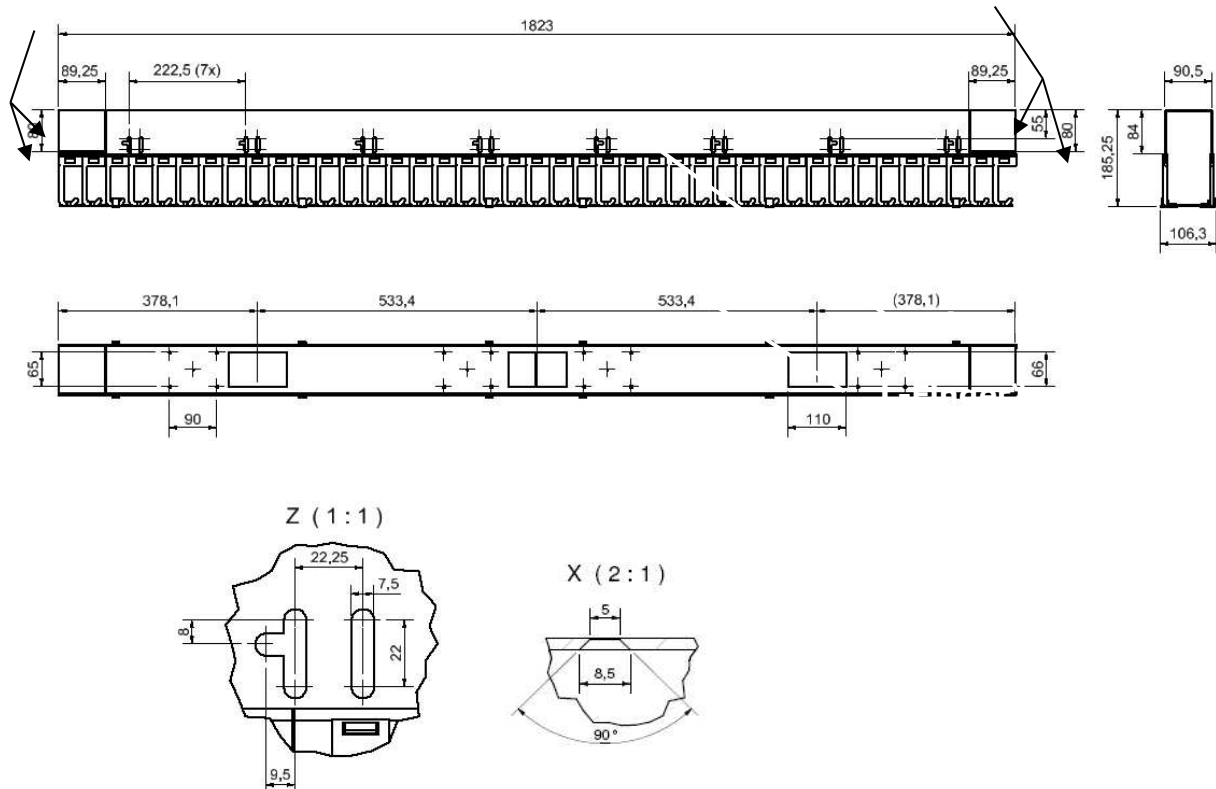


Cable Management System

Vertical Cable Manager 41HU 1823 x 186 x 107 mm

OSI-Partnumber: 142A0633

Perforation for simply carving out for applications e.g. required by rods of cabinet frames.

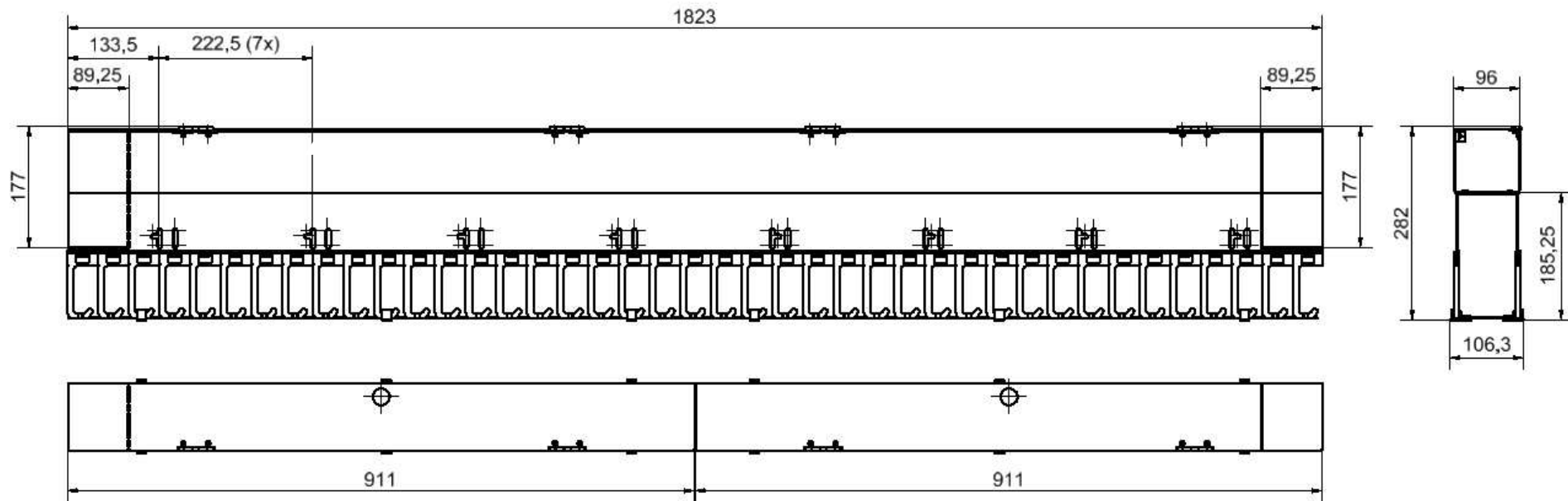


Cable Management System

Vertical Cable Manager 41HU 1823 x 186 x 107 mm with on the back mounted Cable-Overlength-Duct

OSI-Partnumber: 142A0638

With perforation and hole dimensions as above

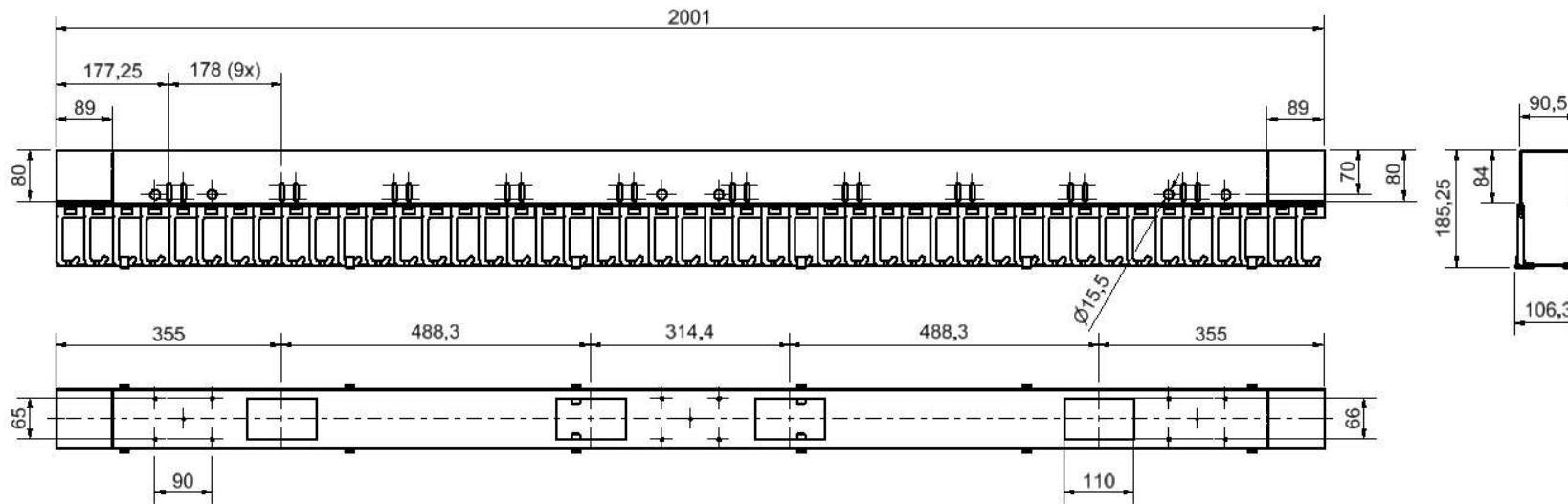


Cable Management System

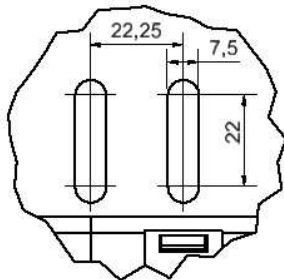
Vertical Cable Manager 45HU 2001 x 186 x 107 mm

OSI-Partnumber: 142A0634

Perforation for simply carving out for applications, e.g. required by rods of cabinet frames.



Z (1:1)

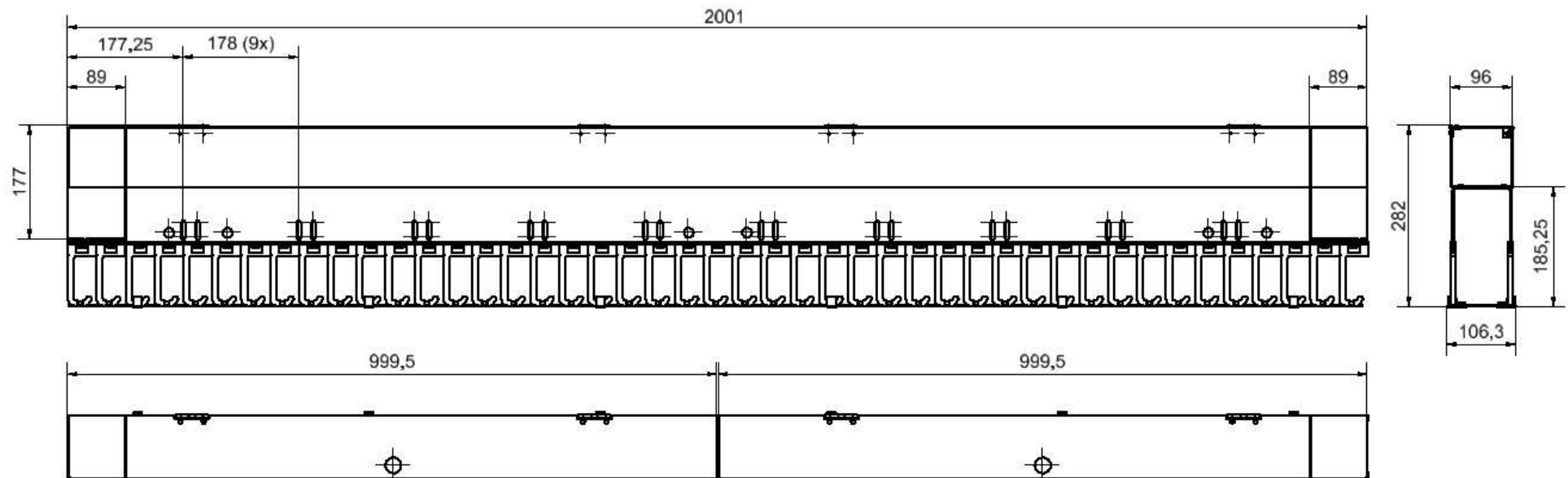


Cable Management System

Vertical Cable Manager 45HU 2001 x 186 x 107 mm with on the back mounted Cable-Overlength-Duct

OSI-Partnumber: 142A0640

With perforation and hole dimensions as above

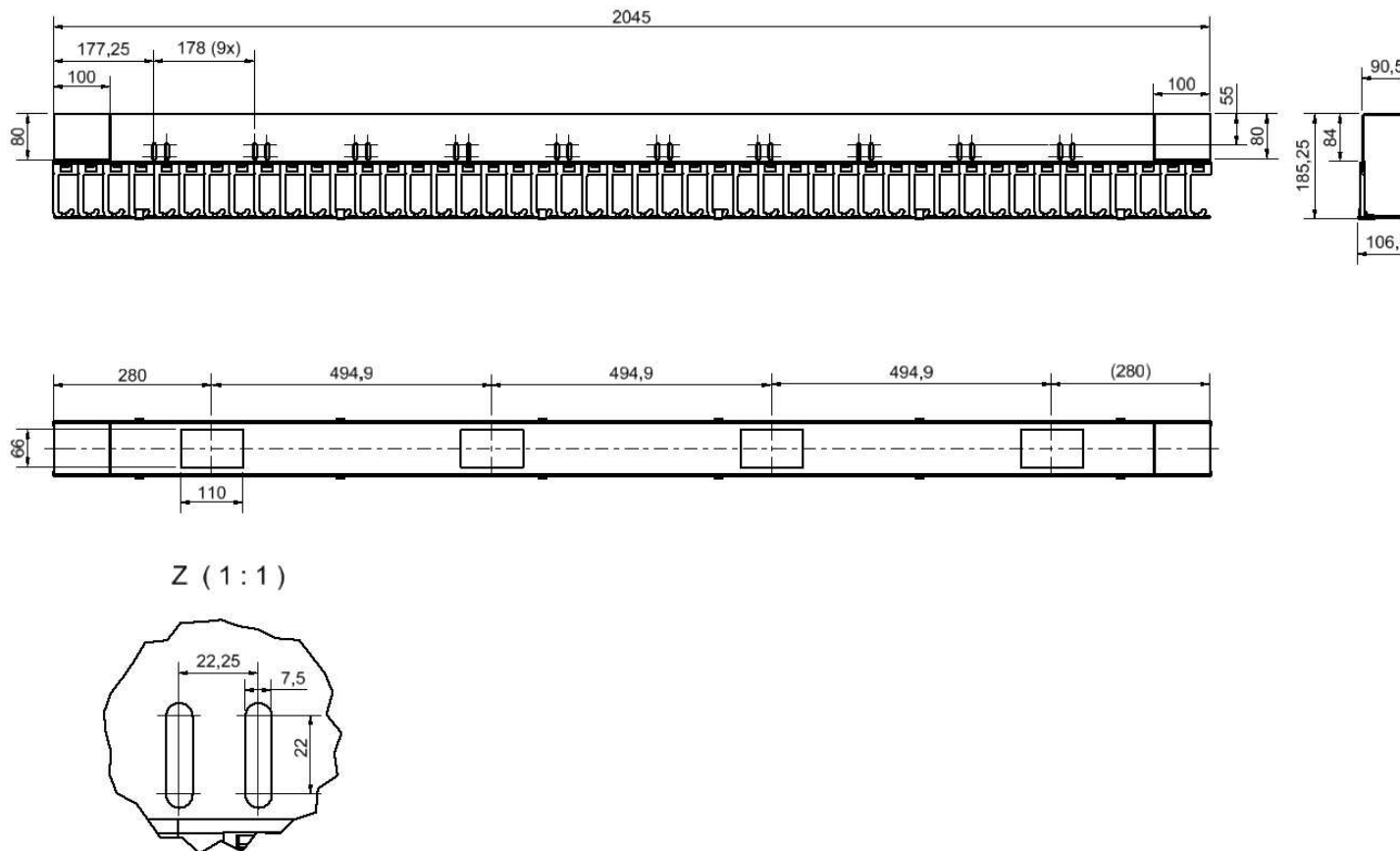


Cable Management System

Vertical Cable Manager 46HU 2045 x 186 x 107 mm

OSI-Partnumber: 142A0635

Perforation for simply carving out for applications, e.g required rods of cabinet frames.



About Rosenberger OSI:

Since 1991, Rosenberger Optical Solutions & Infrastructure (Rosenberger OSI) has been an expert in innovative fiber optic cabling infrastructure and service solutions for Data Centers, Local Networks, Telecom and Industrial.

The products and services can be found wherever largest amounts of data have to be transferred quickly and securely. In addition to the development and production of a broad portfolio of fiber optic and copper cabling systems, Rosenberger OSI also offers a variety of services such as planning, installation and maintenance of cabling infrastructure. Rosenberger OSI has been a part of the globally operating Rosenberger Group since 1998, a worldwide leading provider of high-frequency-, high-voltage-, and fiber-optic-connection solutions headquartered in Germany.

For further information, please visit: www.rosenberger.com/osi

Rosenberger

Rosenberger-OSI GmbH & Co. OHG

Optical Solutions & Infrastructure | Endorferstr. 6 | 86167 Augsburg | Telephon: +49 821 24924-0
info-osi@rosenberger.com | www.rosenberger.com/osi

Rosenberger® is a registered trademark of Rosenberger Hochfrequenztechnik GmbH & Co. KG. All rights reserved. © Rosenberger 2017

For technical reasons, we reserve us the right to make any deviations from the illustrations in the product information
Transfer to third party only by authority of Rosenberger-OSI GmbH & Co. OHG- All rights reserved.

Creation date: 2009-07-23
Valid since: 2009-07-23
Revision: 003