

Product Information

Universalbox 360 x 254 x 111



Now our since years successful Universalbox 360 x 254 x 111 mm is even more universal and modular. Through this the box became an enclosure system for much more non 19" applications in different installation environments.

Basically we split the system in distribution and splice boxes:

On distribution boxes, assembled cables can be feed into the box and fixed on both front walls and attached at the inner coupler plate.

On splice boxes, buffered-fiber or cable pigtails or our Pigtail-Bundel-Cable are ready for splicing assembled in the box as an option. The cables which shall be spliced at the pigtails, can be feed into the box and fixed on the front wall designated for that. At the opposite front wall usually assembled cables are feed into the box, fixed and connected to the pigtails at the inner coupler plate. Cables can be spliced directly to each other in the box too.

Modular mounting parts for the front walls to feed and fix all kinds of cables into the box are available as shown at the following pages.

As a standard, our Smart Plug ½ part-front-plates (PFP) with FO couplers (P/N group 160) can be mounted at the inner coupler plate. Our Smart Plug ½ part-front-plates for copper modules (Jacks) can be mounted on a special tray as well on request. Coupler plates which can be mounted on the front walls are available on request too.

In dependence on the front wall mounting parts, the box can be IP50 dust-proof up to IP66 water-proof.

The following partnumbers are configurable by you. The type distribution or splice box and type and number of couplers in the coupler palte is fix by the partnumber, but the modular mounting parts for the front walls can be configured on your needs.

So far the boxes were offered in our catalog Fiber Optic Ed.4 at p.90/91 and Data Center Ed.2008 p.46/47 and 58/59 as P/N group 118 and 122.

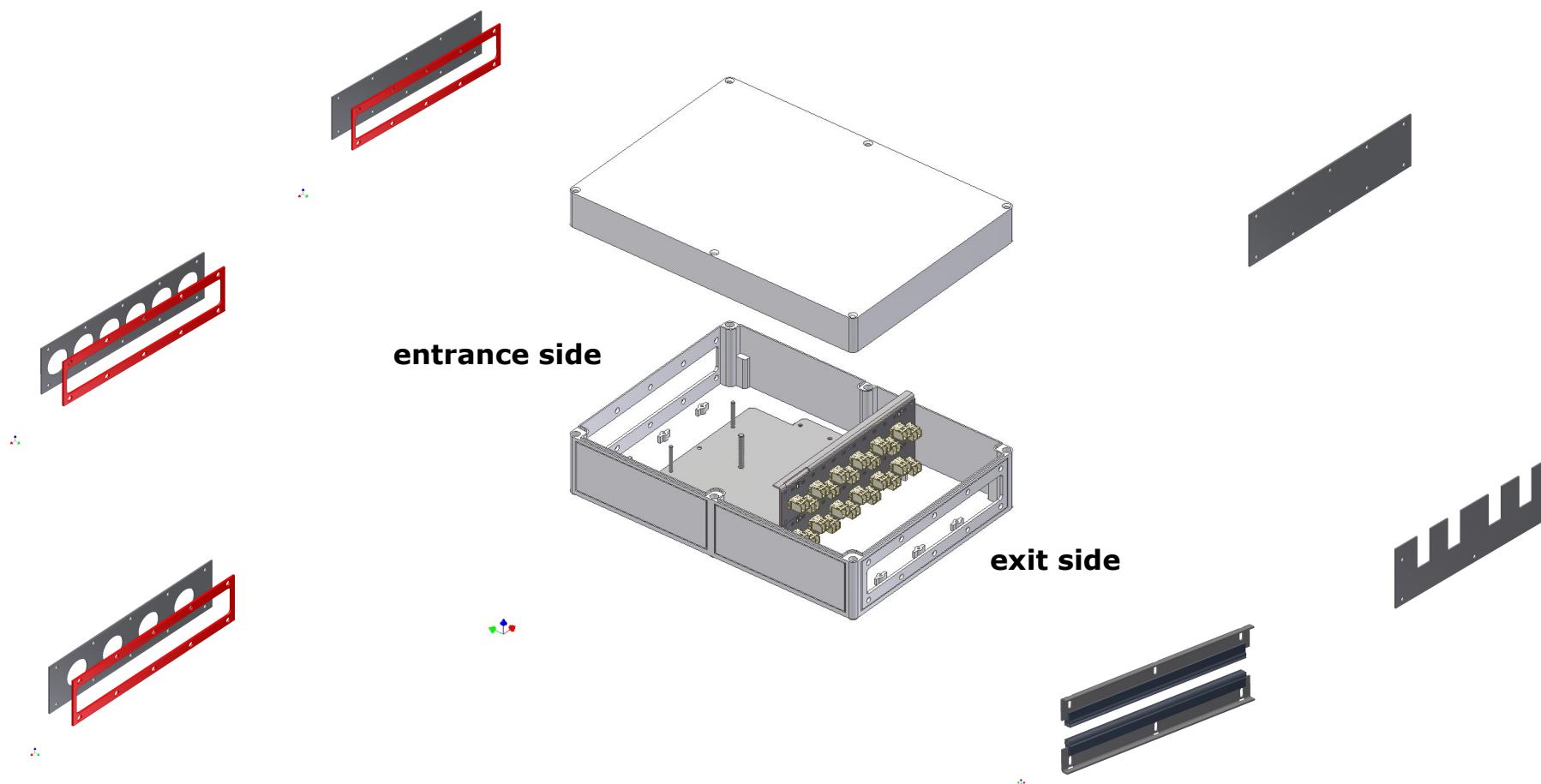
Material and color:

- box: Plastic RAL7035 light grey, impact-resistant, halogen-free
- front wall mounting parts: steel powder coated RAL7035 light grey

Product Information

Universalbox 360 x 254 x 111

All mounting parts can be mounted either on the entrance or the exit side



Product Information

Universalbox 360 x 254 x 111



Partnumbers boxes:

On your order, our inside sales ask you which IP class, 50 dust-proof or 66 water-proof, you need and offers you the modular mounting parts available for your selected IP class for both front wall sides.

On splice panels, additionally you will be ask if you like to have our Pigtail-Bundle-Cable ready for splicing assembled in the box plus the for splicing necessary accessories.

Cable glands and blind-screws must be ordered separately, partnumbers please see on the following pages.

Blind-covers for not needed squared interfaces of our Trunk Cable-Divider plate are included.

number coupler type (channels/fibers)	Distribution box			Splice box		
	SM	50µm OM2	50µm OM3	SM	50µm OM2	50µm OM3
6 LC-Duplex (6ch/12F)	118A4001	118A4005	118A4005OM3	118A4301	118A4304	118A4304OM3
12 LC-Duplex (12ch/24F)	118A4002	118A4006	118A4006OM3	118A4302	118A4305	118A4305OM3
24 LC-Duplex (24ch/48F)	118A4003	118A4007	118A4007OM3	118A4303	118A4306	118A4306OM3
36 LC-Duplex (36ch/72F)	118A4004	118A4008	118A4008OM3	1)		
24 LC-Quad = 48 LC-Duplex (48ch/96F)	118A4009	118A4010	118A4010OM3	1)		
6 MU-Duplex-Horizontal (6ch/12F)	118A4011	118A4016	118A4016OM3	118A4307	118A4310	118A4310OM3
12 MU-Duplex-Horizontal (12ch/24F)	118A4012	118A4017	118A4017OM3	118A4308	118A4311	118A4311OM3
24 MU-Duplex-Horizontal (24ch/48F)	118A4013	118A4018	118A4018OM3	118A4309	118A4312	118A4312OM3
36 MU-Duplex-Horizontal (36ch/72F)	118A4014	118A4019	118A4019OM3	1)		
48 MU-Duplex-Horizontal (48ch/96F)	118A4015	118A4020	118A4020OM3	1)		
6 SC-Duplex (6ch/12F)	118A4021	118A4023	118A4023OM3	118A4313	118A4315	118A4315OM3
12 SC-Duplex (12ch/24F)	118A4022	118A4024	118A4024OM3	118A4314	118A4316	118A4316OM3
6 MTP® (bei 12F MTP® = 6x6ch/6x12F)	118A4025	118A4026	118A4026OM3	on request		
Empty box without coupler plate tray and no splice-cassette interface	118A4000					

Other coupler types and numbers of fibers on request.

1) The maximum possible number of fibers in the splice box is limited to 48 fibers, because higher numbers of fibers can not be spliced due to shortage of space in the box.

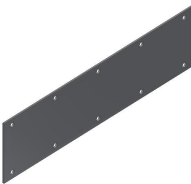
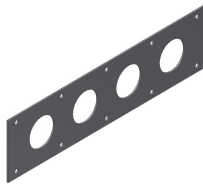
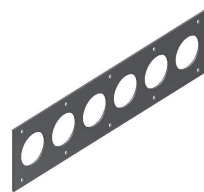
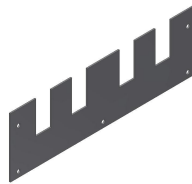
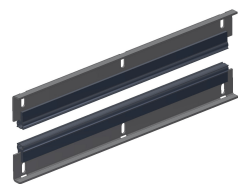
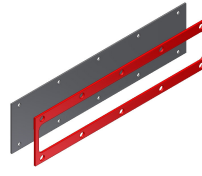
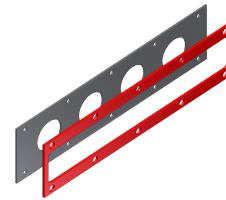
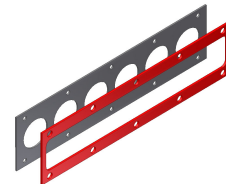
Product Information

Universalbox 360 x 254 x 111

Partnumbers modular mounting parts:

The IP class of the box depends on the modular mounting parts, the cover of the box itself gives IP66 water-proof. On your order, our inside sales ask you which of the modular mounting parts for both front wall sides you need.

Cable glands and blind-screws must be ordered separately, partnumbers please see on the following pages. Blind-covers for not needed squared interfaces of our Trunk Cable-Divider plate are included.

	blind-plate	plate for 4 x	plate for 6 x	plate 4 x Trunk Cable-Divider	lip seal
IP50 without sealing					
	118A4500	--- --- 4xPG21 118A4501	6xPG13,5 118A4502 6xPG16 118A4503 6xPG21 118A4504	118A4505	118A4506
IP66 with sealing				not possible, because even with sealing only IP50	not possible, because even with sealing only IP50
	118A4507	--- --- 4xPG21 118A4508	6xPG13,5 118A4509 6xPG16 118A4510 6xPG21 118A4511	-----	-----

All modular mounting parts are delivered with their for mounting at the box necessary screws.
Other modular mounting parts, e.g. for other cable glands numbers and sizes.

Product Information

Universalbox 360 x 254 x 111

Accessories:

Cable glands with nuts:

PG13,5 for cable diameter 5 – 9 mm
PG16 for cable diameter 7 – 12 mm
PG21 for cable diameter 9 – 16 mm

Plastic IP60

111A0426
111A0427
111A0402



Metal IP68

111A0428
111A0429
111A0410



Blind-screws with nuts:

PG13,5
PG16
PG21

Plastic IP60

111A0430
111A0431
111A0432



Metal IP68

111A0433
111A0434
111A0435



Raisedfloor-Holder:

For mounting of our Universalbox in raised floors, a suitable raisedfloor-holder is available
Partnumber: 099A0051

