

Cable-Management-System

The **Rosenberger-OSI Cable-Management-System** has been developed especially for **patch distributors and equipment racks** in Data Centers, to manage the emerging large cable volumes, caused by high density, professional and appropriate.

The system contains of:

Horizontal-Cable-Managers

and

Vertical-Cable-Managers



Rosenberger-OSI Cable-Management-System in a Data Center`s patch distributor and equipment rack



Cable-Management-System

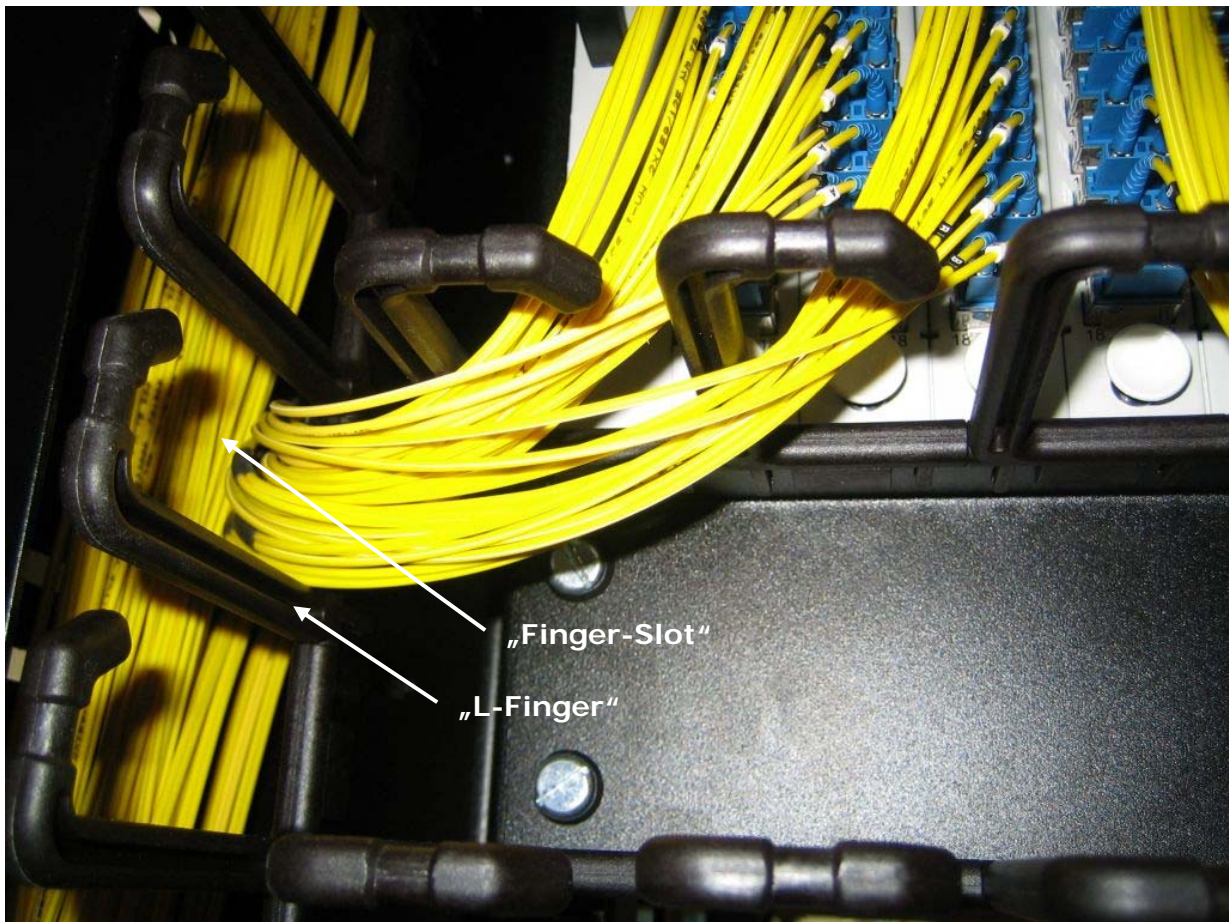
Rosenberger-OSI „Cable-Manager“ are FO suitable through:

1.) The so-called „L-Fingers“ which are forming the „Finger-Slots“:

- They are rounded all-over, have no sharp edges.
- They guarantee high bending and kinking protection for the cable even under tensile load.
- They are very robust and break resistant.

2.) The large so-called „Finger-Slots“:

- Therein the cables have lots of space and they are neither squeezed nor kinked.

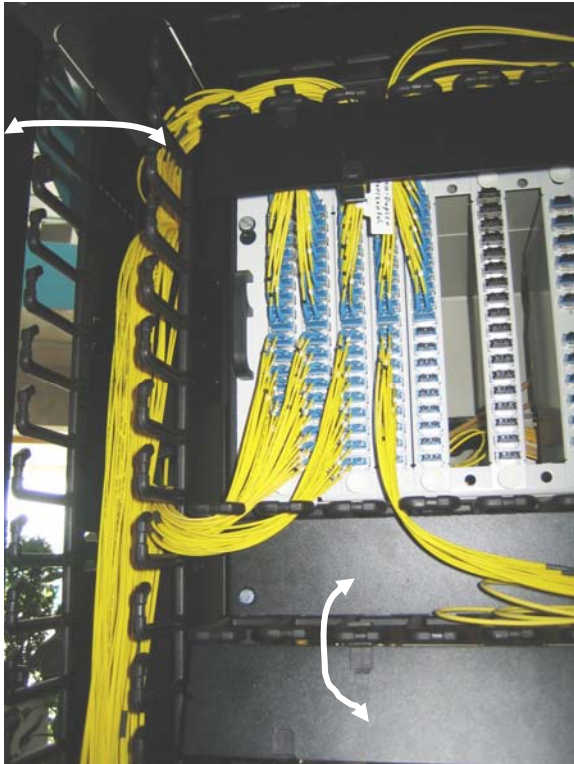


Cable-Management-System

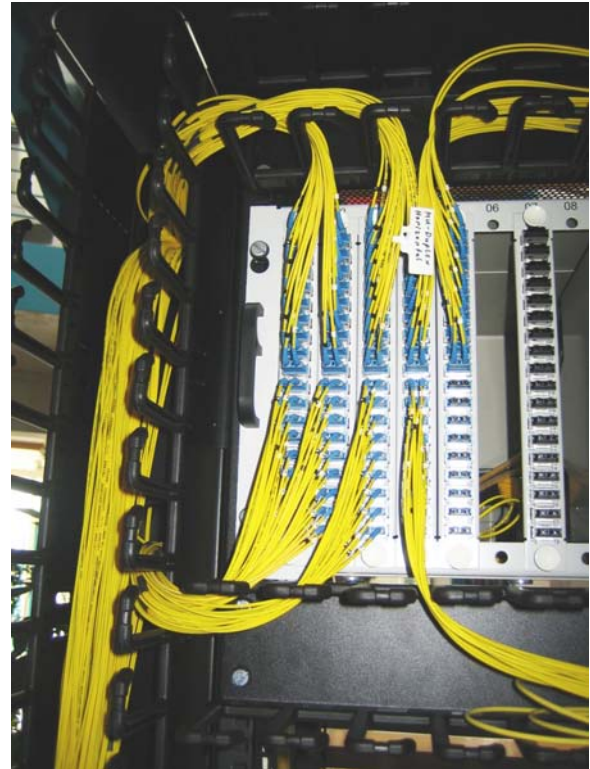
Rosenberger-OSI „Cable-Manager“ are very installation and handling friendly through:

- 1.) The **covers** which **are hinged** in both directions **and** completely **removable**.
- 2.) The all-over rounded „**L-Fingers**“:
 - During installation and un-installation the cables can not be damaged through sharp edges.
 - The cables can be very easy and secure installed and un-installed in the Cable-Managers.
 - During work with open or removed covers the „L-Fingers“ hold the cables back inside of the „Finger-Slots“, the cables can not escape.
- 3.) The **cable overlengths** are stored **inside** of especially suitable **ducts** at the rear sides of the Vertical-Cable-Managers.
Details see at the following pages.

hinged covers



removed covers
cabs are kept inside of the
„Finger-Slots“ by the „L-Fingers“



Cable-Management-System

Rosenberger-OSI „Cable-Manager“ are very installation and handling friendly through:

The **cable overlengths** are stored **inside** of especially suitable **ducts** at the rear sides of the Vertical-Cable-Managers:

Pictures of the former model with T-Fingers

Vertical-Cable-Manager with at its rear side mounted Cable-Overlength-Duct



There are large holes between the actual Cable-Manager and the at its rear side mounted Cable-Overlength-Duct for the lead-through of the cable over-lengths.



The Cable-Overlength-Ducts have doors with magnetic



Cable-Management-System

Technical Data and Partnumbers:

Material Cable-Manager:

- Body and Cover:
Aluminum, powder coated RAL 9005 black matt structure
- L-Finger and Cover-Hinge:
Polyamide PA, deep black matt, halogen-free, flame-retardant UL94-V0

Material Cable-Overlength-Duct:

Steel, powder coated RAL 9005 black matt structure

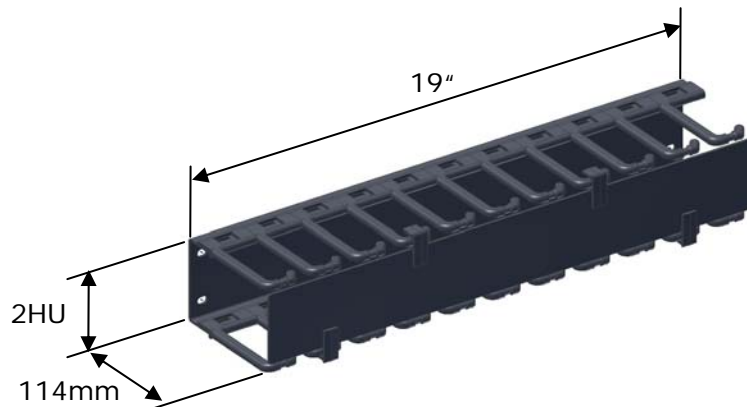
Application/mounting:

The following listed Rosenberger-OSI Cable-Managers fitting in different racks and cabinets of common manufacturers, depending on the rack and cabinet type itself, particularly their interior.

This is especially to take in account for Vertical-Cable-Managers. To evaluate if and how they can be mounted in a certain rack or cabinet, all technical details and dimensions must be known.

The needed screws and often to be designed special mounting parts must be selected and if needed designed and quoted customized.

**19" 2HU Horizontal-Cable-Manager OSI-Partnumber: 111A0453:
other height units on request**

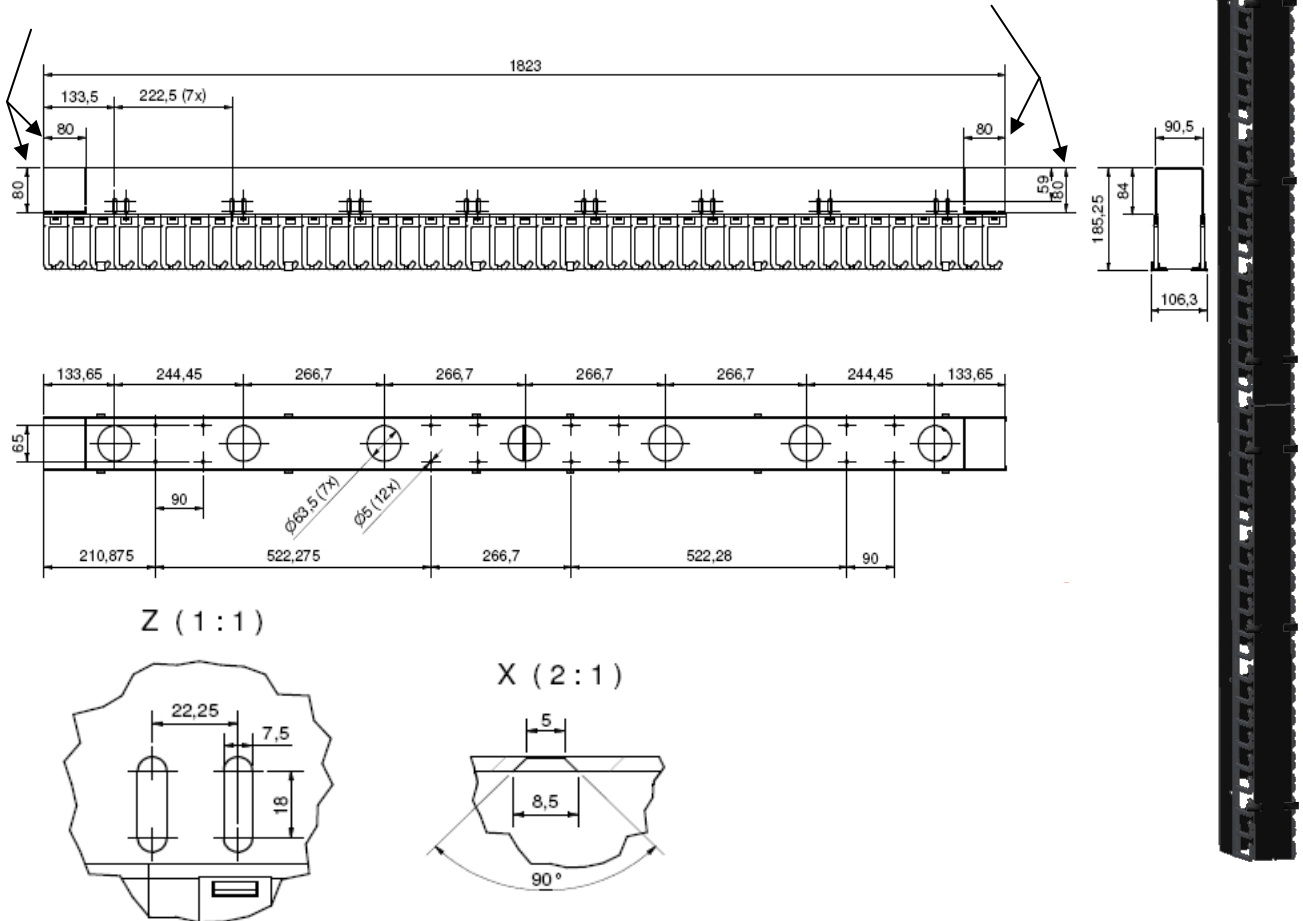


Cable-Management-System

Vertical-Cable-Manager 41HU 1823 x 186 x 107 mm

OSI-Partnumber: 142A0604:

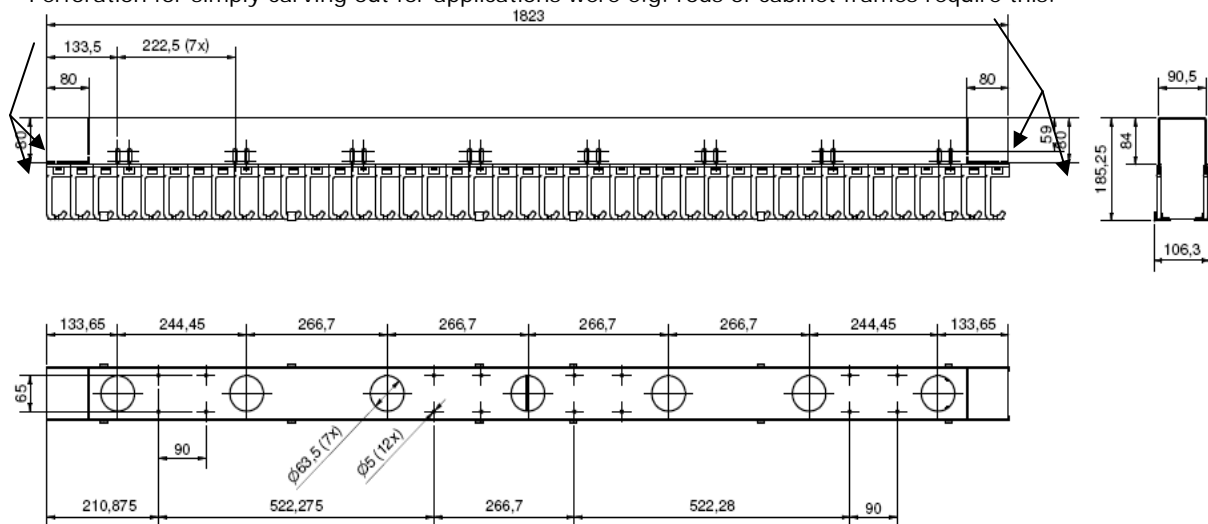
Perforation for simply carving out for applications were e.g. rods of cabinet frames require this.



Vertical-Cable-Manager 41HU 1823 x 186 x 107 mm with on the back mounted Cable-Overlength-Duct OSI- Partnumber: 142A0605:

With perforation and hole dimensions as above

Perforation for simply carving out for applications were e.g. rods of cabinet frames require this.

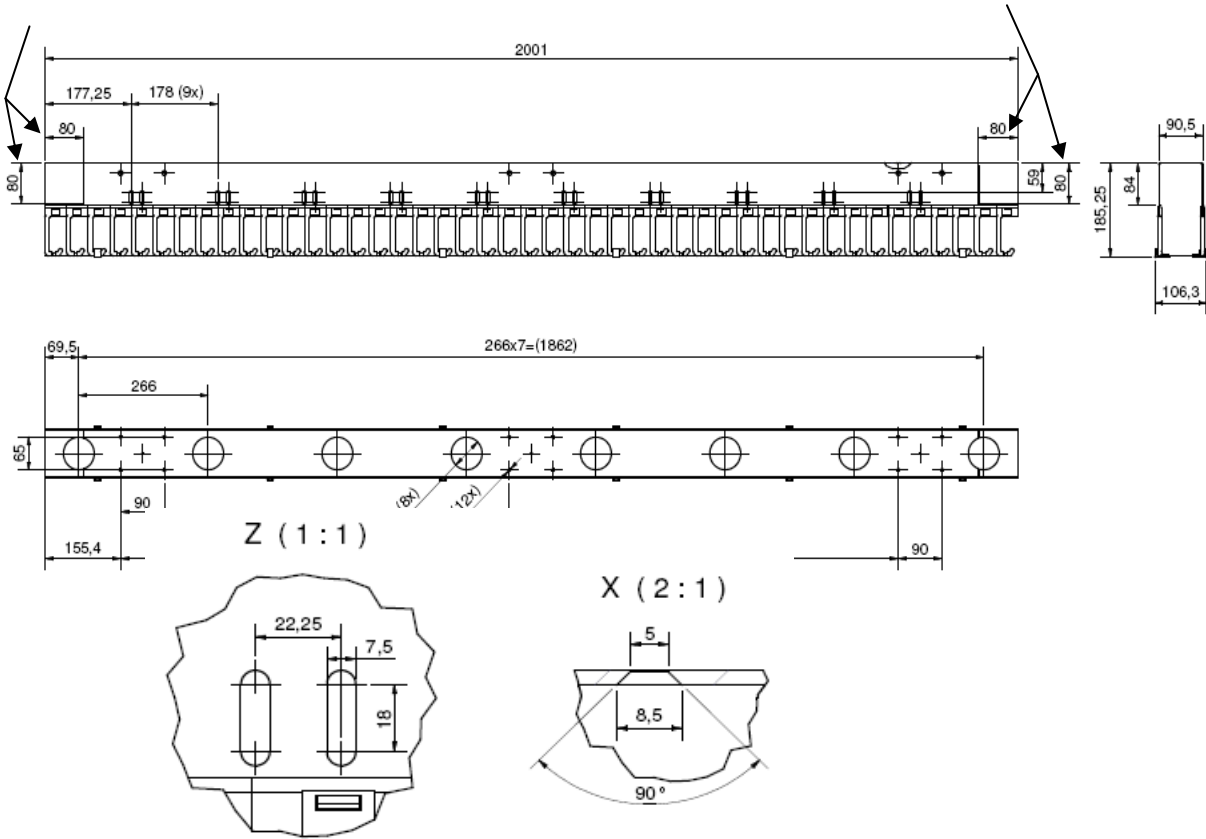


Cable-Management-System

Vertical-Cable-Manager 45HU 2001 x 186 x 107 mm

OSI-Partnumber: 142A0606:

Perforation for simply carving out for applications where e.g. rods of cabinet frames require this.



Vertical-Cable-Manager 45HU 2001 x 186 x 107 mm

with on the back mounted Cable-Overlength-Duct

OSI-Partnumber: 142A0607:

With perforation and hole dimensions as above

