

MU 8-fiber Connectivity System

Properties

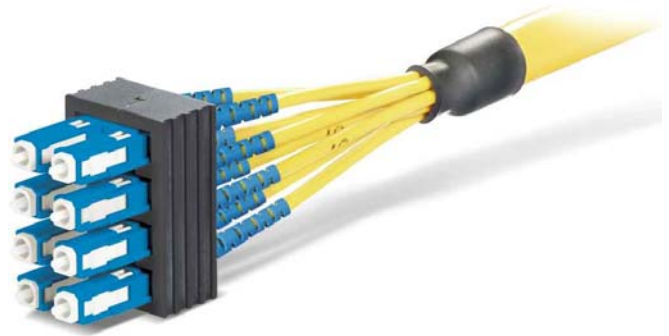
Ultra-Small-Form-Factor-Connectivity System for high-end cabling in telecommunication, data center and LAN; With a removable clip 4 horizontal duplex connectors are combined. The clip is fully compliant with the easy push-pull locking mechanism. The coupler is mounted in the panel with two screws.

Ferrules

8 x Ø1.25 mm

Materials

Ferrule:	Cirkonia-Ceramic
Body:	Composite plastic
Boot:	Composite plastic
Color of outer housing	
Multimode:	beige or black
Singlemode:	blue
Singlemode APC:	green



Fiber Types

Singlemode:	E9/125µm
Multimode:	G50/125 (also OM3) G62.5/125

Insertion Loss

typical:	0.10 dB
maximum:	0.30 dB

Return Loss

Multimode:	> 20 dB
Singlemode:	> 45 dB
Singlemode APC:	> 65 dB

Mating Cycles

500

Temperatures

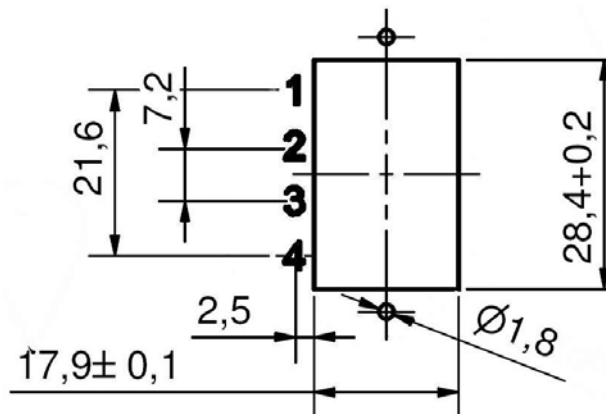
Operation:	-25°C ... +70°C
Storage:	-25°C ... +70°C

(dep. on used cable material)

Cables

0.9 mm buffered fiber
1.8 mm breakout cable
2.1 mm breakout cable

MU 8-fiber Connectivity System



panel cut out

While the information has been carefully compiled to the best of our knowledge, nothing is intended as representation or warranty on our part and no statement herein shall be construed as recommendation to infringe existing patents. In the effort to improve our products, we reserve the right to make changes judged to be necessary.

Draft	Date	Approved	Date	Rev.	Engineering change number	Name	Date
		R.Breitenauer	2009-08-06	03	-	S.Schmidt	2009-08-06