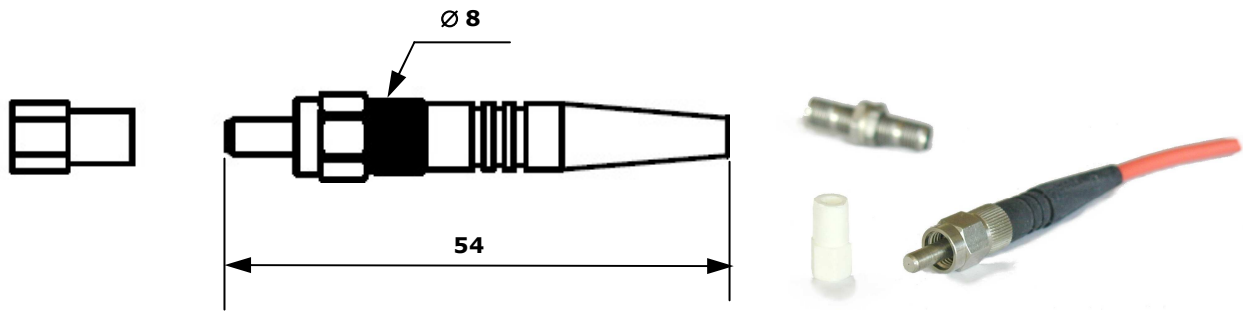


F-SMA Connector



All dimensions are in mm; tolerances acc. ISO 2768 m-H

**Properties**

F-SMA connector is with threaded coupled nut. With the full metal design, it can be used over a wide temperature range. Sealed versions are available.

**Interface**

F-SMA, acc. to IEC 61754-22

**Material for connectors**

Ferrule : Ceramic or Metal, Ø 3.175 mm  
 Body : Metal  
 Boot: EPDM

**Optical data**

Insertion Loss : M/M Typical 0.50 dB  
 Return Los M/M 20 dB

**Mechanical data**

Mating cycle ≥ 1000 change of IL < 0.2 dB  
 Cable retention > 100N (depending to Cable type)

**Environmental data**

Operation temperature range -40°C to +125°C  
 Storage temperature range -40°C to +125°C  
*Dependent on used cable type.*

**Suitable cables**

Cable Types : Ø 0.9 ~ 3.0 mm

**Ferrule hole**

Ø 127 ~ Ø1060µm, customized fiber hole on request.

**Packaging**

Standard Packaging.

While the information has been carefully compiled to the best of our knowledge, nothing is intended as representation or warranty on our part and no statement herein shall be construed as recommendation to infringe existing patents. In the effort to improve our products, we reserve the right to make changes judged to be necessary.

Dieses Dokument ist urheberrechtlich geschützt • This document is protected by copyright • Rosenberger OSI GmbH & Co. OHG

Draft	Date	Approved	Date	Rev.	Engineering change number	Name	Date
Y.Zhang	30.03.2017	H.Jungbäck	30.03.2017	002	---	Y.Zhang	30.03.2017