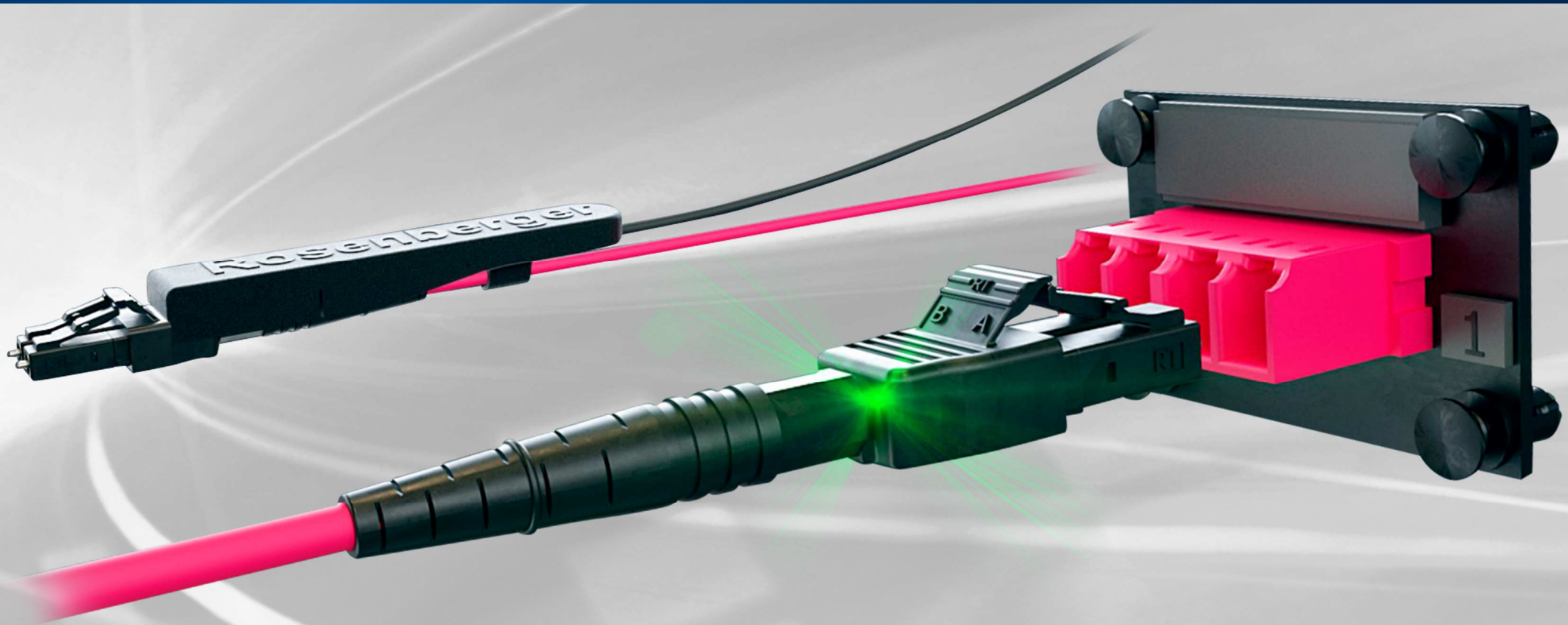


## IDENTIFICATION PATCH CORD (IDP) LC-COMPACT

### PRODUCT INFORMATION



**Applications:**

Data Center and building cabling

**Identification Patch Cord (IDP) – fast and secure identification of patch cord ends**

Operating Data Centers requires frequent reconfiguration of data cabling, which is usually done by manual patching within distributors. Disruptions of active data transmission is not seldom caused by unplugging the wrong patch cord, even the change was double-checked before according to the cabling documentation.

The Identification Patch Cord (IDP) of Rosenberger OSI makes the secure identification of patch cord ends easier and faster. Through this it brings a large contribution to the availability of IT applications within the Data Centers.

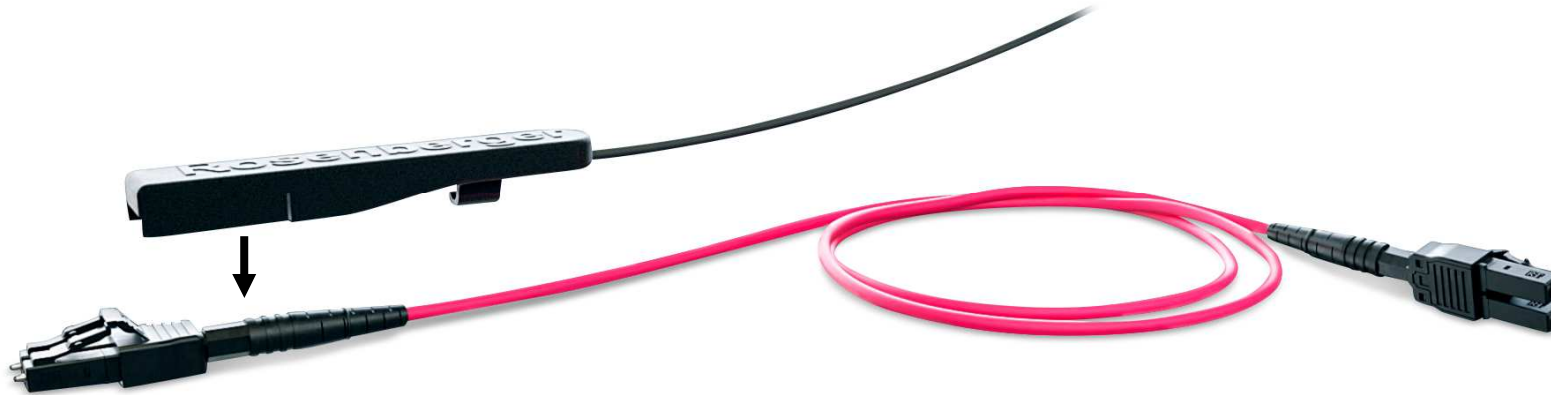
**Your benefits at a glance:**

- Increase of the availability of IT applications and through this operational reliability of Data Centers
- Simple operation through only one person in the running Data Center operation
- Cost efficient and maintenance-free patch cords through the abdication of electrical components
- Easy and low cost retrofit of existing FO cabling with IDP patch cords

**Functional description:**

***! The maximum possible length of Identification Patch cords (IDPs) is 35 meter.  
At lengths longer than 35 meter the visibility of the identification light spot at the far end is insufficient.***

- 1) Lay the IDP light source on the top of the body of the LC-COMPACT connector at one end of the IDP patch cord



- 2) Switch the IDP light source on, light spot occurs at the rear wall of the connector body at the far end



## IDENTIFICATION PATCH CORD IDP V2

with LC-COMPACT connectors V2

### Properties:

Identification Patch cord IDP for simple, fast and secure identification of patch cord ends using the for this necessary separate to order IDP light source

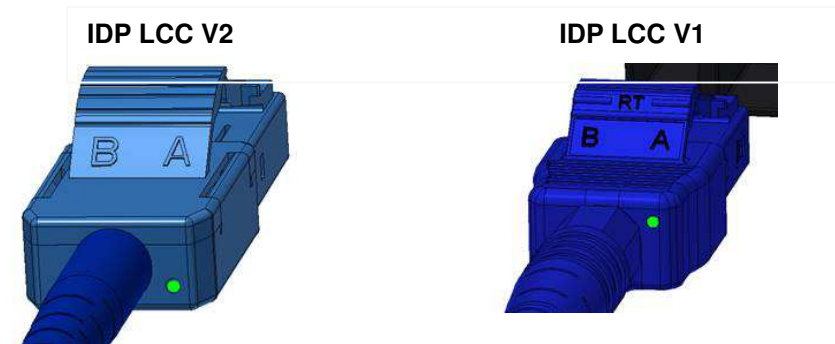
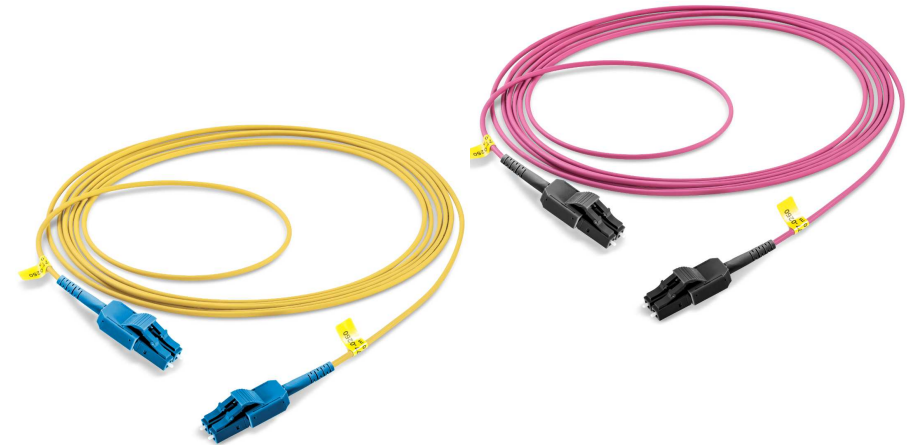
- Kink and crush resistance optimized for environmental conditions
- Suitable for operation in temperatures from -10 °C to +60 °C
- Polarity:  
Full-duplex cables with duplex connectors on both sides “crossed” A to B in accordance with ISO/IEC 11801 and EN 50173
- maximum possible length = 35 meter


### Length tolerances:

- Up to 1 m = - 50 mm
- 2 m to 3 m = - 100 mm
- 4 m to 25 m = - 200 mm
- Longer than 25 m = - 1 %

### Delivery form:

- Attenuation measured in accordance with IEC 61300-3-4 „C“ or „Substitution“ method, measurement values on request
- Serial number labels at the cable ends on both sides
- Individually packaged in foil bags with product ID label



 <b>Part numbers</b> Duplex Patch cord cable type round I-V(ZN)H and I-V(ZN)H(ZN)H FRNC-LSZH ! maximum possible length = 35 meter					
Cable diameter	Connectors	Length	OM4	SM PC 0°	SM APC 8°
2.9mm	LCC IDP V2 » LCC IDP V2	Variable	087A6740OM4	087A6739G657A1	087A6743G657A1
Double-Jacket 2.8/5.0mm	LCC IDP V2 » LCC IDP V2	variable	087A6742OM4	087A6741G657A1	087A6744G657A1
2.0mm patch cords are not feasible as IDP.					

## IDENTIFICATION PATCH CORD IDP LIGHT SOURCE V2 for LC-COMPACT connector V2

### Properties:

- Test laser 520 nm green with coupled fiber
- Risk category 1 at the end of the fiber

### Delivery form:

- Ready for use within transport case
- 2 AAA batteries
- Operation manual

**Part number: 099A0716**



## About Rosenberger OSI:

Since 1991, Rosenberger Optical Solutions & Infrastructure (Rosenberger OSI) has been an expert in innovative fiber optic cabling infrastructure and service solutions for Data Centers, Local Networks, Telecom and Industrial.

The products and services can be found wherever largest amounts of data have to be transferred quickly and securely. In addition to the development and production of a broad portfolio of fiber optic and copper cabling systems, Rosenberger OSI also offers a variety of services such as planning, installation and maintenance of cabling infrastructure. Rosenberger OSI has been a part of the globally operating Rosenberger Group since 1998, a worldwide leading provider of high-frequency-, high-voltage-, and fiber-optic-connection solutions headquartered in Germany.

For further information, please visit: [www.rosenberger.com/osi](http://www.rosenberger.com/osi)

# Rosenberger

## Rosenberger-OSI GmbH & Co. OHG

Optical Solutions & Infrastructure | Endorferstr. 6 | 86167 Augsburg | Telefon: +49 821 24924-0  
info-osi@rosenberger.com | [www.rosenberger.com/osi](http://www.rosenberger.com/osi)

Rosenberger® is a registered trademark of Rosenberger Hochfrequenztechnik GmbH & Co. KG. All rights reserved. © Rosenberger 2017

For technical reasons, we reserve us the right to make any deviations from the illustrations in the product information.  
Transfer to third party only by authority of Rosenberger-OSI GmbH & Co. OHG- All rights reserved

Creation date: 2019-02-13  
Valid since: 2020-05-06  
Revision: 002